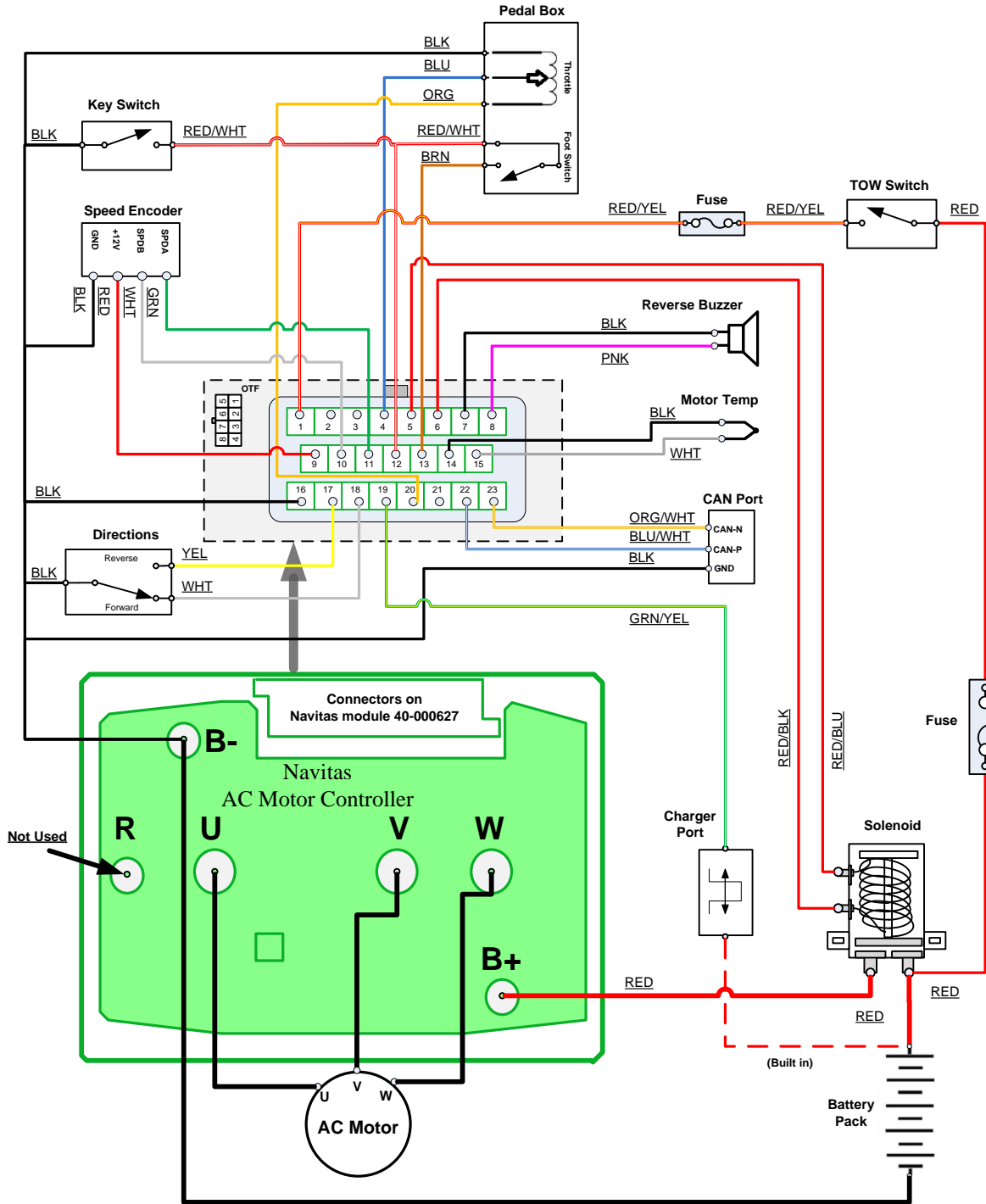


Wiring Diagram – Yamaha YDRE2

Using TAC2 Module PN: 40-000627



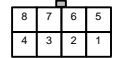
23-POS Ampseal
776228-1



- P1: Logic Power
- P2: NA
- P3: NA
- P4: Throttle In
- P5: Logic Power
- P6: Main Solenoid
- P7: Rev Buzzer
- P8: Logic Power
- P9: +12V PF
- P10: SPD B In
- P11: SPD A In
- P12: Key In
- P13: Foot Switch In
- P14: Analog GND
- P15: Motor Temperature In
- P16: Analog GND
- P17: Reverse In
- P18: Forward In
- P19: CHARGER INTERLOCK
- P20: +5V PF
- P21: NA
- P22: CAN Positive
- P23: CAN Negative

- P1: RED/YEL
- P2: NA
- P3: NA
- P4: BLU
- P5: RED/BLU
- P6: RED/BLK
- P7: BLK
- P8: PNK
- P9: RED
- P10: WHT
- P11: GRN
- P12: RED/WHT
- P13: BRN
- P14: BLK
- P15: CLR
- P16: BLK
- P17: YEL
- P18: WHT
- P19: GRN/YEL
- P20: ORG
- P21: NA
- P22: BLU/WHT
- P23: ORG/WHT

On The Fly Programmer



- P1: +12V POLY
- P2: OTF REGEN
- P3: OTF SPEED
- P4: OTF ACCELERATION
- P5: +5V EXT
- P6: OTF LOCK
- P7: REVERSE BUZZER
- P8: GND POLY

Mating 23 POS
TE 770680-1



Revision History

20201208 Original